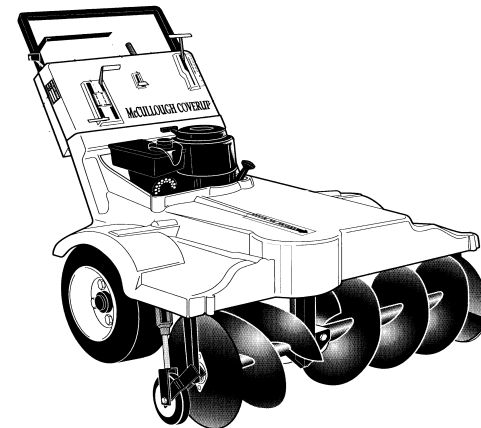


MCCULLOUGH

**OPERATION AND
MAINTENANCE
MANUAL**

PARTS CATALOG

MCCULLOUGH COVERUP



MCCULLOUGH COVERUP SERIES 1000

1101 SHEPHERD RD
BURKBURNETT, TX 76354

Phone 1-940-569-1770
Fax 1-940-563-5772
E-Mail coverup@mcculloughcoverup.com
Web www.mcculloughcoverup.com

CALL TOLL FREE: 1-800-250-5688

To Order Call: 1-800-250-5688

INTRODUCTION

Thank you for purchasing a McCullough coverup machine.

Read this manual carefully to learn how to operate and service your coverup machine.

This manual should be considered a permanent part of your coverup machine.

Measurements in this manual are U. S. customary units.

Right and left sides are determined by facing in the direction of forward travel.

Record serial numbers to help trace the machine if it is stolen. File numbers in a safe place.

MCCULLOUGH COVERUP SERIES 1000

OTHER MCCULLOUGH INOVATIONS



MCCULLOUGH COVERUP ATTACHMENTS 1500/1600 WILL FIT ON MOST MINI-SKID LOADERS. THE 1600 IS HEAVIER AND SLIGHTLY WIDER ATTACHMENT THAN THE 1500.



MCCULLOUGH COVERUP ATTACHMENT 2000 WILL FIT ON MOST SKID STEER LOADERS.

PARTS LIST

#	Description	Req.	#	Description	Req.
1	Handle Assy.	1	51	Gage Wheel Bearing Assy.	2
2	Clutch Handle	1	52	Short Auger Assy.	1
3	Clutch Cable & Housing	1	53	T Box Assy.	1
4	Rear Cover	1	54	3/16 Square Key	7
5	Packer Rod	1	55	Front T Box Bracket	1
6	Packer Control Handle	1	56	Rear T Box Bracket	1
7	Clip	5	57	5/16 x 3/4 Bolts and star washers	8
8	Gage Wheel Adj. Handle	1	58	5/16 x 2 1/2 Bolts & Nuts	2
9	Gage Wheel Adj. Rod	1	59	Long Auger Assy.	1
10	Gage Wheel Adj. U Joint	1	60	1/8 X 3/4 Cotter Pins	9
11	Gage Wheel Adj. Jack	1	61	Pulley	1
12	Auger Control Handle	1	62	Auger Frame Assy	1
13	Auger Control Cable & Housing	1	63	1/2 X 2 1/4 Bolt & Nut	1
14	Throttle Control & Cable	1	64	Engine Belt Idler Bracket	1
15	Gear Shift Handle	1	65	Pulley	1
16	Gear Shift Rod	1	66	Pulley	1
17	Gear Shift Plate	1	67	Auger Belt	1
18	Gear Shift Adj. Rod	1	68	Transmission Belt	1
19	Gear shift Trans. Arm	1	69	Engine Belt	1
20	Gear Shift Plate Bracket	1	70	3/4 Pillow Block Assy.	3
21	Front Cover	1	71	1/4 x 1 1/4 Bolt & Nut	3
22	Engine Assy.	1	72	1/4 x 1 1/2 Bolt & Nut	4
23	Wood Ruff Key	2	73	Tension Springs	3
24	Drive Pulley	1	74	Transmission Spring	1
25	Engine Mounting Bracket	1	75	3/8 x 2 1/2 Bolt & Nut & Spring	1
26	5/16 X 4 1/2 Bolt & Nut	1	76	5/16 x 3 1/2 Bolt & Nut	10
27	5/16 x 1 1/4 Bolts Fine Thread	4	77	3/8x2 1/4 Bolt & Nut	8
28	Solid Wheel Assy.	3	78	Auger Idler Bracket	1
29	Packer Bracket Assy.	1	79	McCullough Coverup Decal	1
30	Pin	6	80	Transmission Decal	1
31	1/2 Washer	10	81	Center of Ditch Decal	1
32	1/2 x 1 3/4 Bolt & Nut	2	82	Gage Wheel Decal	1
33	Idler Pulley	3	83	Choke & Run Decal	1
34	Spring	2	84	Auger On & Off Decal	1
35	Transmission Idler Arm	1	85	Main Bottom Cover	1
36	# 8 X 3/4 Metal Screws	6	87	Coupler	1
37	Main Frame Assy.	1	106	7" keyed 3/4 shaft	2
38	Transmission Assy.	1	123	1/2 X 2 1/4 Clevis Pin	2
39	Transmission Pulley	1	126	Top Jackshaft Pulley	1
40	1/4 X 3/4 NF Bolt, Star Washer and flat washer	1	130	Hairpin clip	2
41	Trans. Shaft Ext.	1			
42	1" Bearing Assy.	1			
43	Wheel Hub Assy.	2			
44	600 x 6. Tire & Wheel	2			
45	Lug Nuts 1/2"	8			
46	1/4 Sq. Key	3			
47	5/16X3/4 Bolt & Nut & Washer	2			
48	Gage Wheel Adj. Link	2			
49	Gage Wheel Outside Bracket	2			
50	Gage Wheel Inside Bracket	2			

Table of Contents

WARRANTY	4
SAFETY	5,6,7,8,9
STORAGE	10
CONTROLS	12,13
OPERATIONS	14,15,16,17
TROUBLE SHOOTING	17
MAINTENANCE	18
PARTS LIST	20,21
NUMBERED PARTS LIST	22

Warranty / Product Support Policy

For a period of 90 days from the date of delivery by the dealer to the original purchaser, McCullough Coverup will provide free replacement parts through the McCullough Coverup Dealer for any McCullough Coverup part containing a defect in material or workmanship.

Major components will have coverage for a period of 1 year. Major components for the McCullough Coverup are defined as: frame, augers, wheels, tires, and covers. Owners responsibility to qualify for product support consideration are:

1. Train qualified operators according to operators manual.
2. Maintain machine according to operators manual.
3. Use unit for designed applications only.

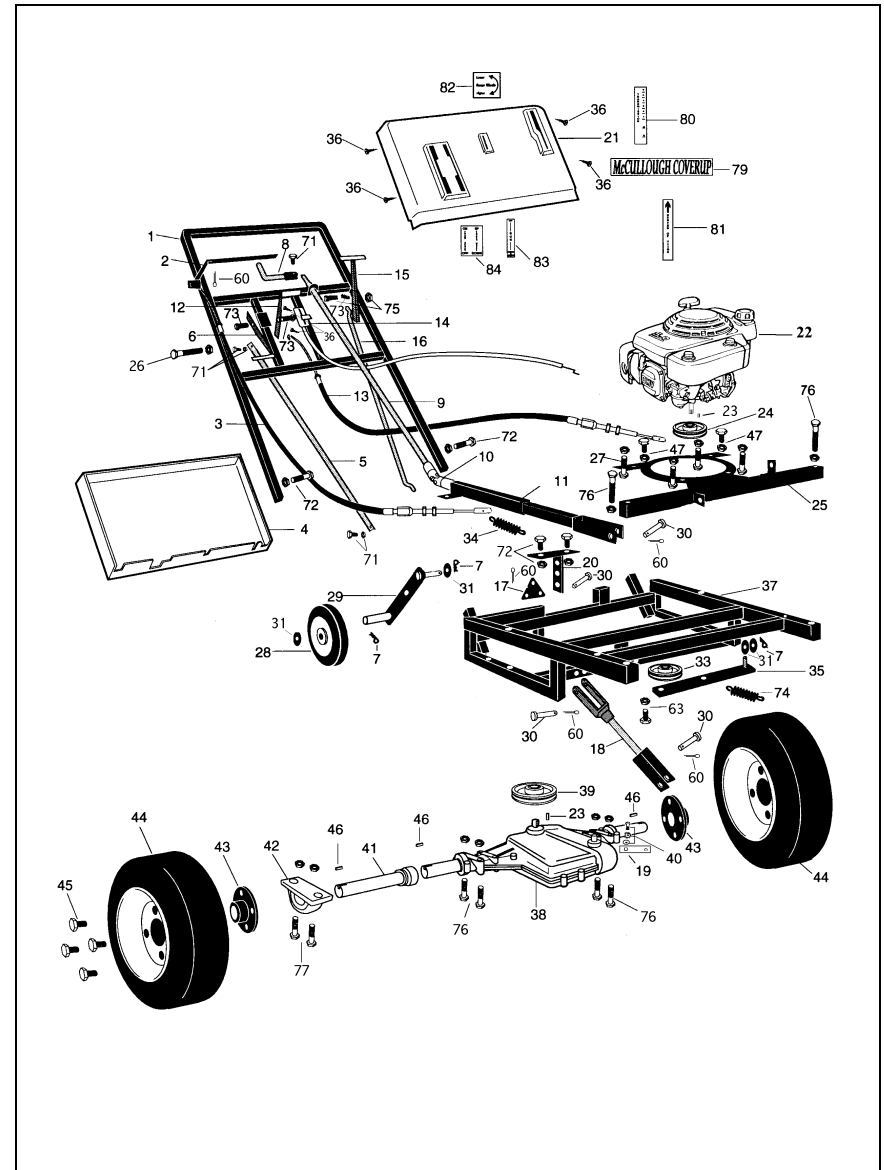
This product support policy is limited to parts returned to the dealer and determined defective on inspection by McCullough Coverup. This policy does not include transportation charges or freight and does not include consequential damages or parts damaged by improper installation, misuse or neglect.

There are no warranties which extend beyond this description.

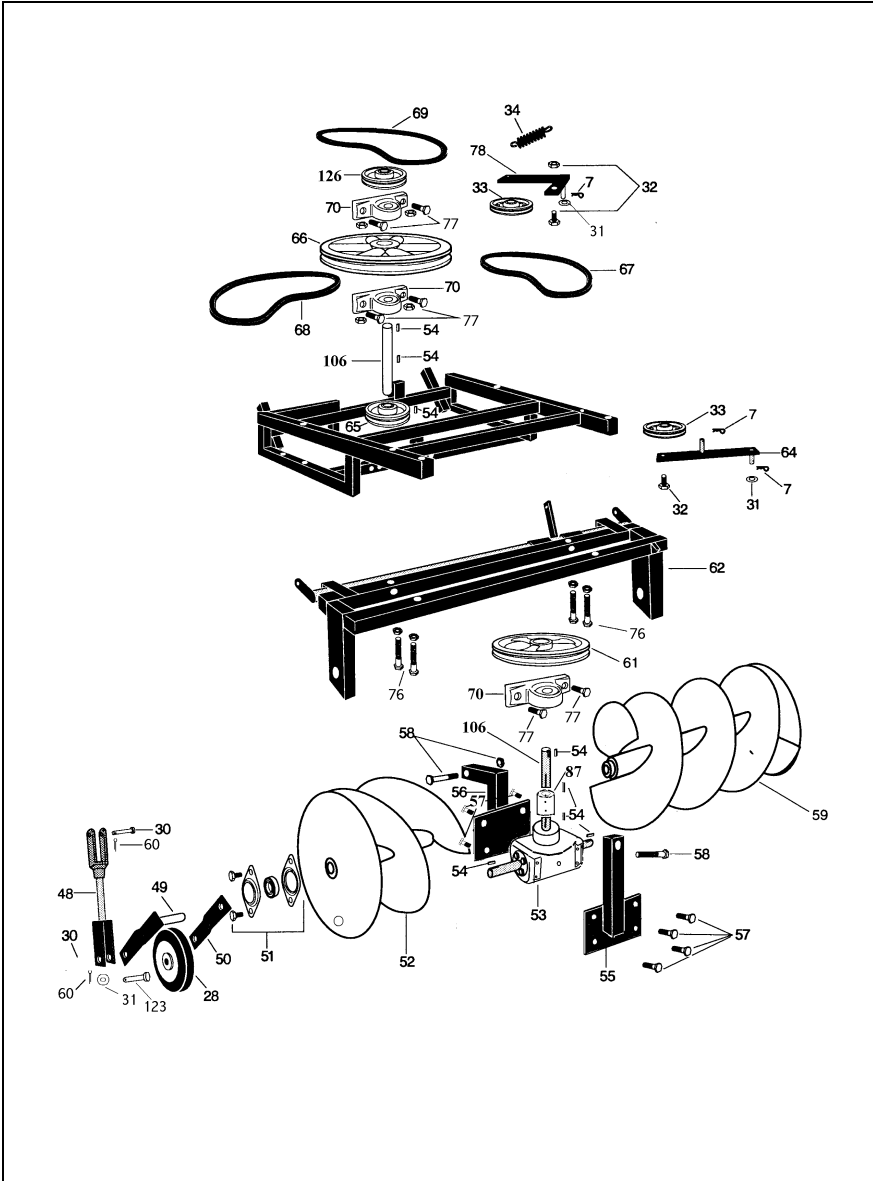
The engine accessories and transaxle accessories are covered by the original manufacturers warrant and are not covered by McCullough Coverup.

This McCullough Coverup has been tested in various conditions for satisfactory performance. This testing does not guarantee that the equipment will perform in all conditions satisfactorily. Adequacy of the equipment for your situation should be determined before purchase.

PARTS LIST



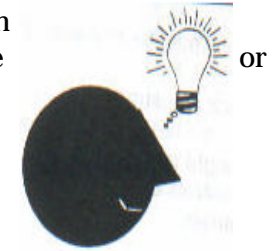
PARTS LIST



safety

RECOGNIZE SAFETY INFORMATION

This is the safety-alert symbol. When you see this symbol on your machine in this manual, be alert to the potential for personal injury.



Follow recommended precautions and safe operation practices. Use common sense.

UNDERSTAND SIGNAL WORDS

A signal word **DANGER**, **WARNING**, or **CAUTION** is used with the safety-alert symbol. **DANGER** identifies the most Serious hazards.

DANGER

DANGER or **WARNING** safety signs are located near specific hazards. General precautions are listed on **CAUTION** safety signs.

WARNING

CAUTION also calls attention to safety messages in this manual.

CAUTION

FOLLOW SAFETY INSTRUCTIONS

Carefully read all of this manual.

Learn how to operate the coverup machine and how to use controls properly. Do not let anyone operate the machine without instruction.

Keep equipment in proper working condition.

Unauthorized modifications to the coverup machine may impair the function and/or safety and affect life.

If you do not understand any part of this manual and need help, contact your sales representative or McCullough Coverup.

INSPECT COVERUP MACHINE BEFORE YOU OPERATE IT.

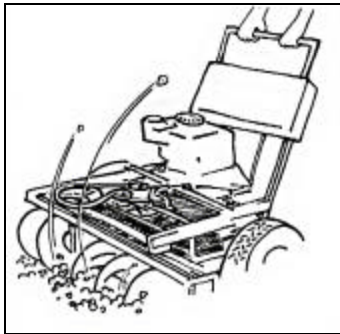
Cover must be closed when engine is running.

Check for loose, worn, damaged, or missing parts

Cover must be in place.
Do not operate without cover.

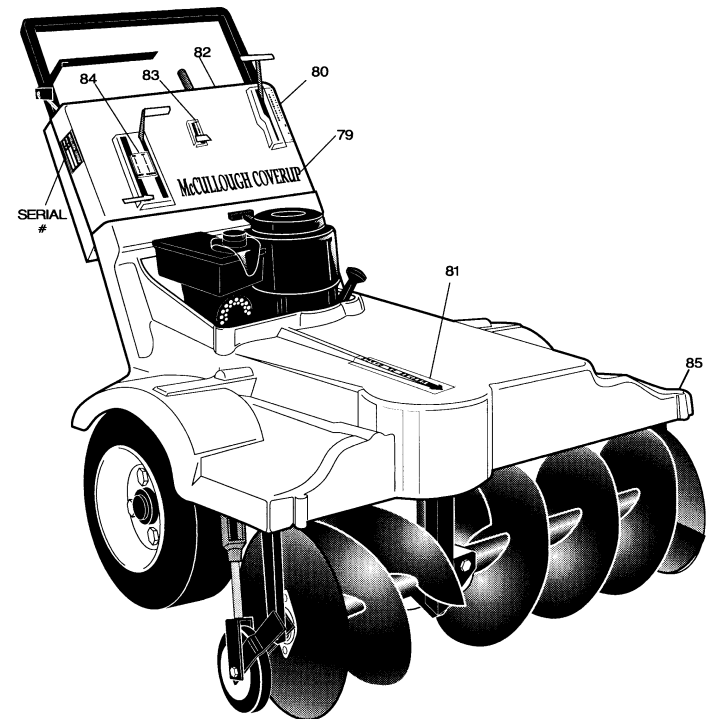
Check adjustments:

- ◆ Height adjustment
- ◆ Controls on
- ◆ Others



DO NOT OPERATE
WITH-OUT COVER.

McCULLOUGH COVERUP



MAINTENANCE

- ◆ Check engine oil before each use.
- ◆ Change oil every 20 hours.
- ◆ Maintain 20 PSI in tires to keep machine level.
- ◆ Keep cables adjusted and oiled for proper tension on belts. **Note:** proper tension is 3/8 inch stretch on spring.
- ◆ Tighten belts
- ◆ **Note:** Over-tightening of belts could cause damage to front gear box. Belts need to be able to slip.
- ◆ Check oil in auger gear box by removing the front bracket and plug from the gearbox. 90 wt. Gear oil is used.
- ◆ The transmission is a sealed unit and does not require any maintenance.
- ◆ Spray the outside of the throttle cable with a lubricant such as WD 40 to keep the cable free.

.KEEP MACHINE CLEAN, ESPECIALLY GAGE WHEELS

**FOR PARTS CALL
TOLL FREE**

**1-800-250-5688
1-888-271-2306**

PROTECT CHILDREN

Keep children and others away when using your coverup machine.

Before engaging controls stop and make sure area is free of children.

Do not let children ride on or play near coverup machine.



AVOID ROTATING AUGERS

Do not put hands or feet near augers—especially when auger is engaged and turning.

Do not attempt to clear objects from auger with engine running.

Pick up objects that may become lodged in auger.

Always stop engine before attempting to adjust auger.



LISTEN! LOOK! WAIT!

Listen for sound of rotating auger before you approach machine.

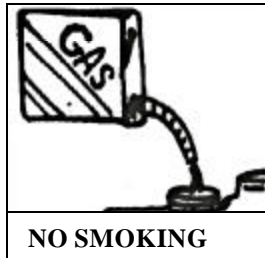
**Look at auger and controls to be sure they are stopped.
Wait after you release controls to be sure all parts have stopped moving before approaching.**

HANDLE FUEL SAFELY— AVOID FIRES!

Handle fuel with care: it is highly flammable.

Do not refuel the machine:

- ⇒ While you smoke.
- ⇒ When equipment is near an open flame or sparks.
- ⇒ When engine is running.
- ⇒ **STOP ENGINE!**



Fill fuel tank outdoors.

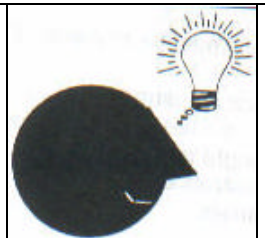
Fill tank only to bottom of filler neck: Leave room for fuel to expand.

Help prevent fires:

- ⇒ Clean grease, oil and dirt from coverup machine.
- ⇒ Clean up spilled fuel immediately.

Do not store coverup machine with fuel in tank in a building or trailer where fumes may reach an open flame or spark.

REMEMBER
“THINK SAFETY”



OPERATION

SHIFTING TO ANOTHER GEAR

1. To move the gear shift into reverse, twist gearshift handle slightly counterclockwise and pull back.
2. Use faster gears when there is less spoil.
3. Remember, the faster the forward speed, the more side torque and the harder it is to control.

TROUBLESHOOTING

DOES NOT CLEAN DIRT EVENLY

- ◆ Check air in tires
- ◆ Inflate to 20 PSI.

BELTS SLIP TOO MUCH

- ◆ If operating in dry dusty conditions, wash belts with water.
- ◆ Traveling too fast.
- ◆ Dirt too wet.
- ◆ Cables need tightening.

BELTS JUMP OFF

- ◆ Idler not returning far enough.
- ◆ Check for binding of cable or idler arm.
- ◆ Pulleys are misaligned

AUGER BELT SLIPS.

- ◆ Traveling too fast, move to slower gear.
- ◆ Cables need tightening.

Plug fouling

- ◆ Clean or replace air filter
- ◆ Throttle advanced to far causing the choke to come on.

OPERATION

BEGINNING TO COVER DITCH

1. Position machine in line with ditch.
Note: use arrow on top of machine.
2. Place machine in proper gear.
Note: use 1st gear for the first pass.
3. Adjust throttle to fast idle.
Note: Fast idle Rpm first pass.
4. Lower packer wheel if necessary (82).
Note: May be used as guide wheel.
5. Pull back on clutch handle to engage drive wheel and auger.
6. Guide machine side to side, not up and down.
Note: If excessive force is needed to prevent side to side movement then raise guide wheels.
7. Do not push or pull the machine, let it do the work.
8. At the end of the run raise the packer wheel before turning or backing up.
9. If there is soil left beyond the coverage area of the machine after the first pass, move the machine over to span the soil with left hand side of the machine. This will move soil toward ditch. Each pass will move the soil approximately one foot.

SERVICE COVERUP MACHINE SAFELY.

Understand service procedure before you do the work.

Keep work area floor clean and dry.

Help prevent injury from moving parts during service.

- ⇒ Do not lubricate or service coverup machine while parts are moving.
- ⇒ Keep hands, feet, and clothing from power-driven parts.
- ⇒ Disengage power. Stop engine. Let coverup machine and engine cool.

Safely support coverup machine parts that must be raised for service.

Keep all parts in good condition and properly installed.

- ⇒ Fix damage immediately.
- ⇒ Replace worn or broken parts.
- ⇒ Remove grease, oil or dirt from parts.

OPERATE COVERUP MACHINE SAFELY!

- ⇒ Do not run into objects with coverup machine. **Machine will kick back.**
- ⇒ Do not tie down controls.
- ⇒ Do not use machine unless controls operate properly.



STORAGE

Extended storage, such as for winter, requires that you take certain steps to reduce the effects of deterioration from non-use of the coverup machine.

Fuel is highly flammable. Do not smoke while you service fuel system. Wipe up spilled fuel immediately. Do not store equipment with fuel in tank in a building where fumes may reach an open flame or spark.

1. Use gasoline storage stabilizer to prepare your coverup machine for storage. Follow directions on stabilizer can.
2. Repair worn or damaged parts. Install new parts, if necessary.
3. Clean the coverup machine.
4. Apply paint to areas that need it to prevent rust.
5. Store in a dry, protected place. If you store outside, put a waterproof cover over it.
6. Place on blocks to remove weight from tires. Let one-third of air out of tires.

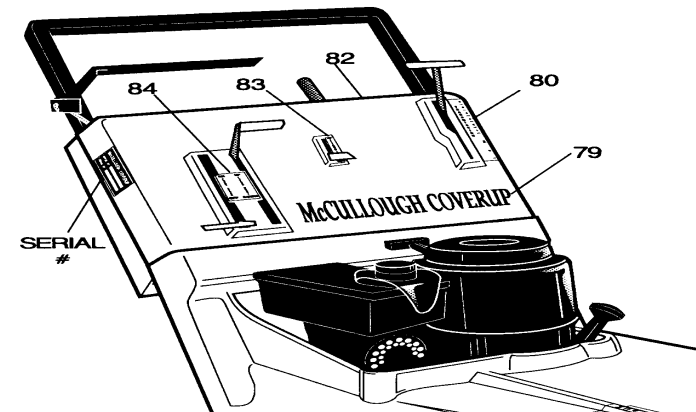
REMOVING FROM STORAGE

1. Check tire pressure.
2. Remove blocks or stands from under coverup machine.
3. Check engine oil level.
4. Drain any excess gasoline storage stabilizer. Fill the fuel tank with fresh gasoline.
5. Run engine 2-3 minutes before you engage gears.

STARTING ENGINE

CAUTION Do not start engine in a building unless ventilation is good. Exhaust fumes can be dangerous.

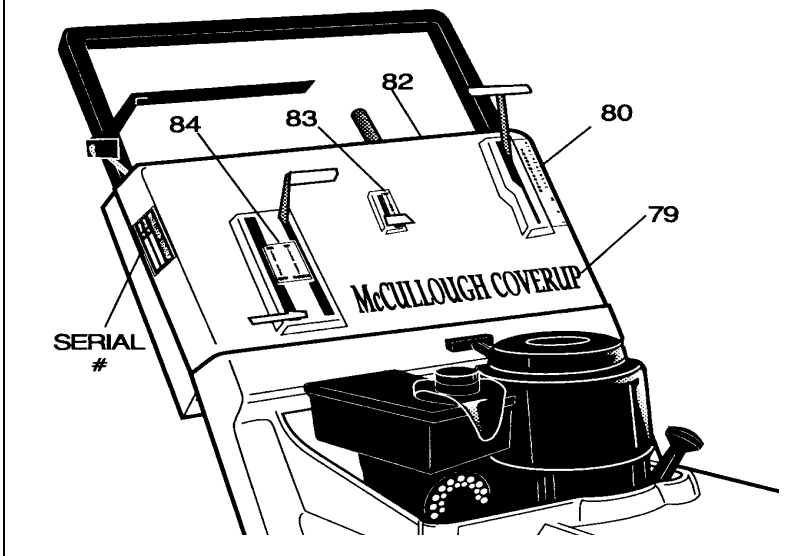
1. Turn fuel shutoff valve pointer to open position. (if equipped)
2. Move shift lever to N (neutral) position.
3. Move throttle lever to choke position.
4. Start engine:
 - Manual start: Pull starter handle fast and steady.
 - Do not let handle snap back when engine starts.
5. Move throttle to slow idle position.



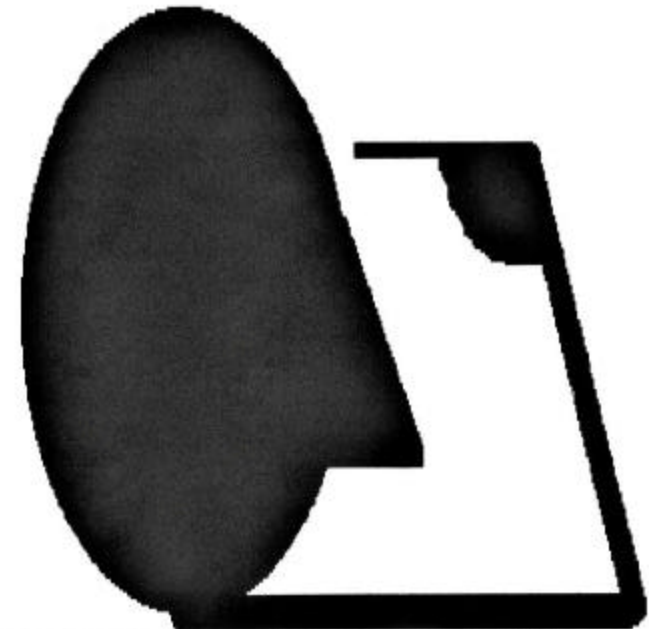
OPERATIONADJUSTING HEIGHT OF GAUGE WHEELS.

CAUTION Before you adjust gauge wheels, **stop engine.** Turn crank (82) to put gauge wheels at desired height. One turn of the crank should raise or lower gauge wheels 1/4 inch.

- ⇒ Normal operation: Adjust height of gauge wheels to the position where the augers are just sitting lightly on the grass.
- ⇒ If scalping is a problem, you may need to lower gauge wheels slightly.



THINK SMART!



THINK SAFETY!

CONTROLS

- 78** Drive engagement lever.
Pull back to handle bar to engage drive. Release to stop forward movement.
- 84** Auger clutch.
Up position disengages auger. Down position engages auger.
- 86** Packing wheel adjustment.
Lever in down position, packing wheel is up. Pulling lever up, moves packing wheel down.
- 83** Throttle Lever.
Push lever forward to fast position. Pull lever to rear to slow position.
- 80** Shift Lever.
You can move lever to 5 forward gears, neutral and reverse. It is ok to shift on the go among forward gears.
Stop forward movement before you shift to reverse. To move the gear shift into reverse, twist gearshift handle slightly counterclockwise and pull back.
- 79** Starter Handle.
Pull starter handle until you feel resistance. Then pull fast and steady. Return rope slowly. Do not let rope snap back.

CONTROLS

